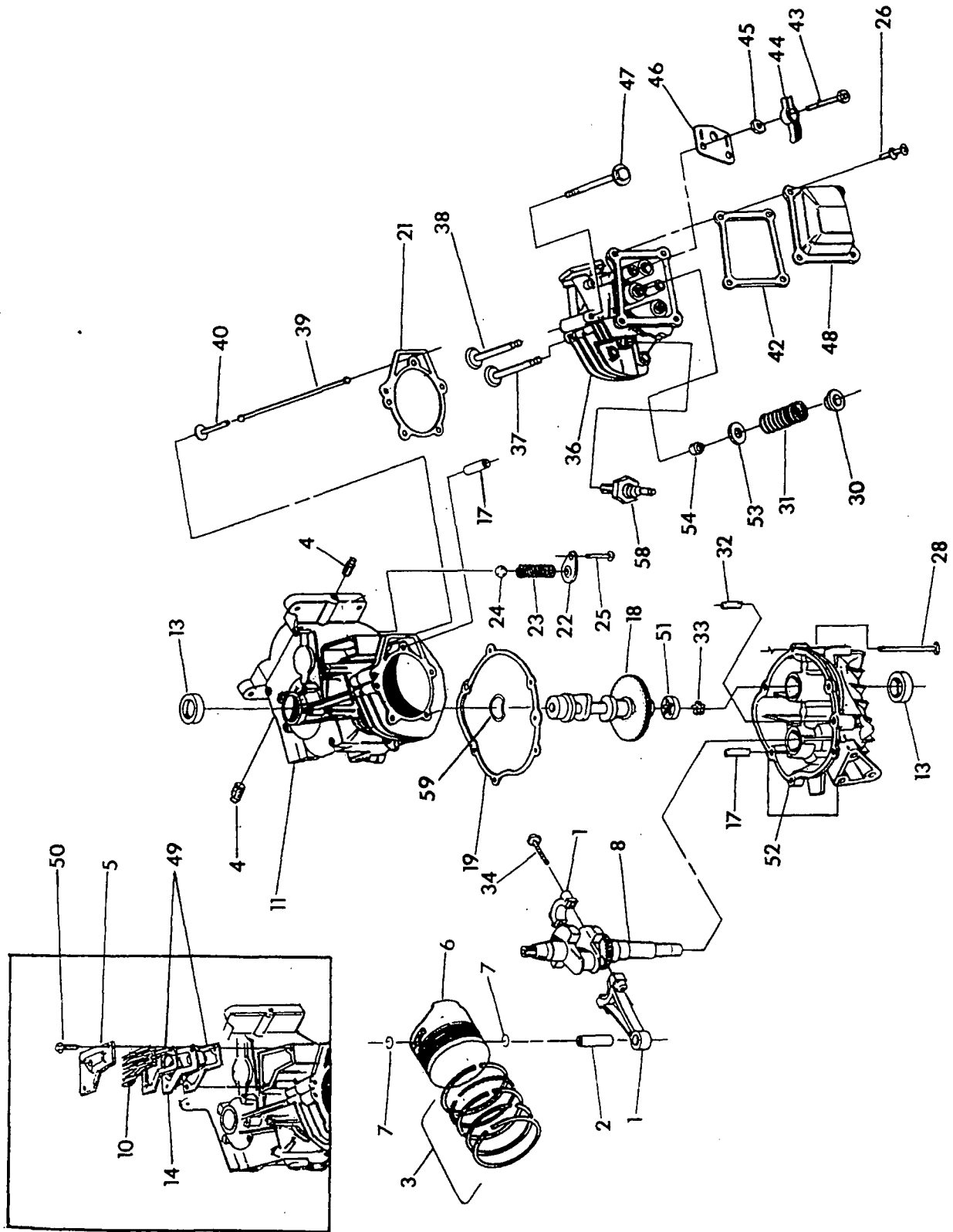


EXPLODED VIEW — LONG BLOCK

Drawing No. A6202 Rev. B



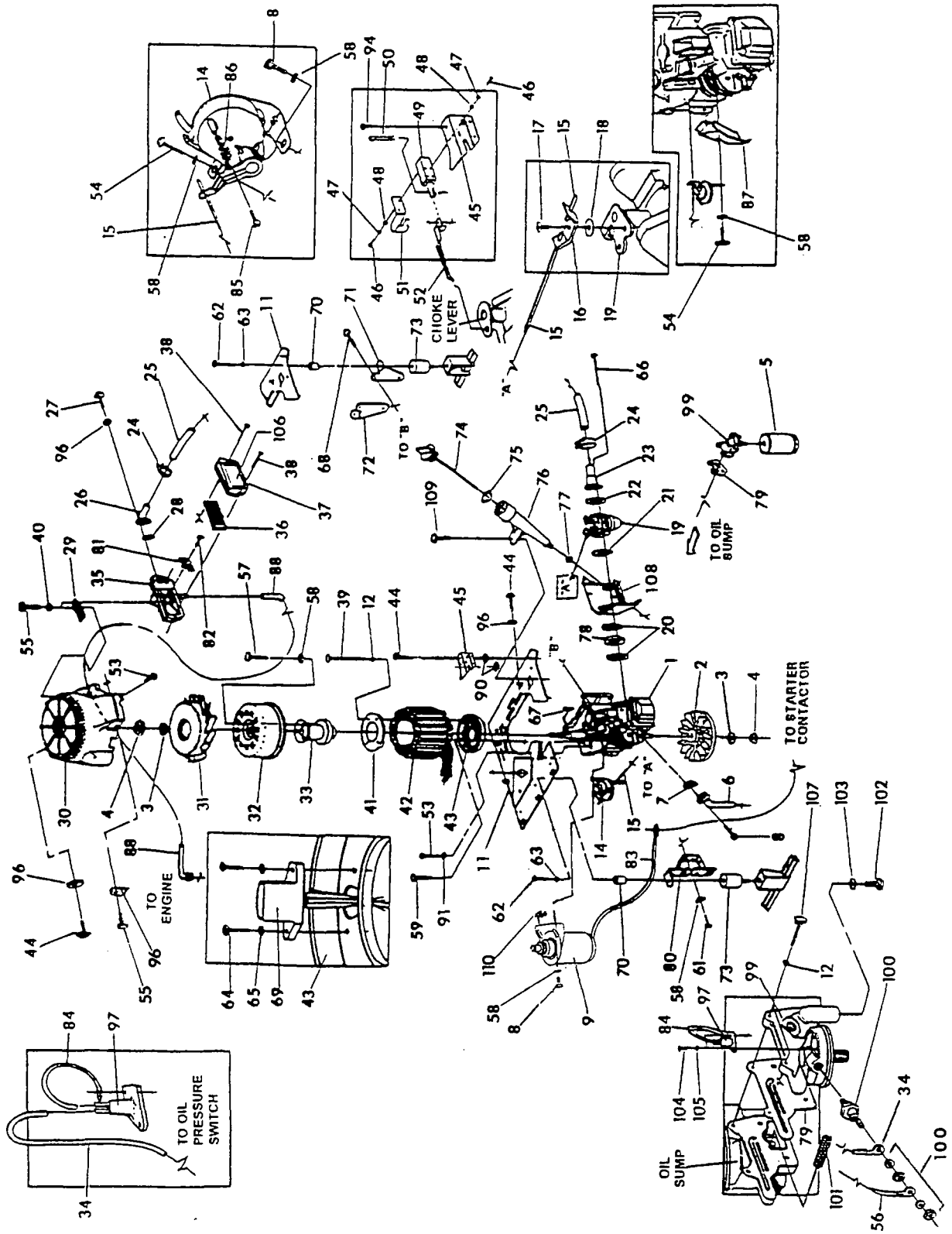
REPAIR PARTS — LONG BLOCK

Drawing No. A6202 Rev. B

ITEM	PART NO.	QTY.	DESCRIPTION
1	76380	1	ASSEMBLY, CONNECTING ROD & CAP
2	76389	1	PISTON PIN
3	88411	1	SET, PISTON RING (STD. SIZE)
4	72657	2	PIPE PLUG 1/4 NPT
5	77176	1	COVER, BREATHER
6	88057	1	PISTON, 75 DIA.
7	76390	2	RETAINER, PISTON PIN
8	21860	1	ASSEMBLY, CRANKSHAFT AND GEAR
10	89923	1	SEPARATOR, OIL BREATHER
11	89213L	1	ASSEMBLY, CRANKCASE
13	81695	2	SEAL, OILCRANKSHAFT
14	90604	1	CUP, BREATHER BAFFLE
17	78699B	3	SLEEVE, DOWEL DIA. 12
18	A2477	1	ASSEMBLY, CAMSHAFT
19	89096	1	GASKET, CRANK CASE FLANGE
21	A8822	1	GASKET, CYLINDER HEAD
22	78691	1	RETAINER, OIL PRESSURE SPRING
23	A5772	1	SPRING, OIL PRESSURE
24	A5776	1	BALL, OIL PRESSURE
25	74908	1	TAPTITE, M5-0.8 x 10
26	78606	4	SCREW & LOCK WASHER, M6-1 x 12 LONG
28	89230	6	HHFC, M8-1.25 x 35 LONG
30	A1720	2	RETAINER, VALVE SPRING
31	88401	2	SPRING, VALVE
32	88590	1	DOWEL PIN, DIA. 12 x 18 LONG
33	83152	1	GEROTOR, INNER
34	76381	2	BOLT, CONNECTING ROD
36	21705B	1	ASSEMBLY, CYLINDER HEAD W/GUIDES & SEATS
37	90082	1	VALVE, EXHAUST
38	90081	1	VALVE, INTAKE
39	88396A	2	PUSH ROD
40	83235	2	TAPPET
42	96362	1	GASKET, ROCKER COVER
43	77161	2	STUD, BALL PIVOT
44	77160	2	ROCKER ARM
45	76307	2	NUT, ROCKER ARM
46	88403	1	PLATE, PUSH ROD GUIDE
47	77168	5	HEADBOLT, M8 x 52MM
48	88413B	1	COVER, ROCKER
49	78629	2	GASKET, BREATHER
50	90388	2	BOLT, TAPTITE M6 x 12 LONG
51	83153	1	GEROTOR, OUTER
52	92977	1	ASSEMBLY SUMP, OIL
53	84186	2	WASHER, WEAR VALVE SPRING
54	88156	1	SEAL VALVE INTAKE
58	72347	1	SPARKPLUG, CHAMPION RC12YC
59	99922	1	WASHER, WAVE

EXPLODED VIEW — GENERATOR

Drawing No. A5971 Rev. A



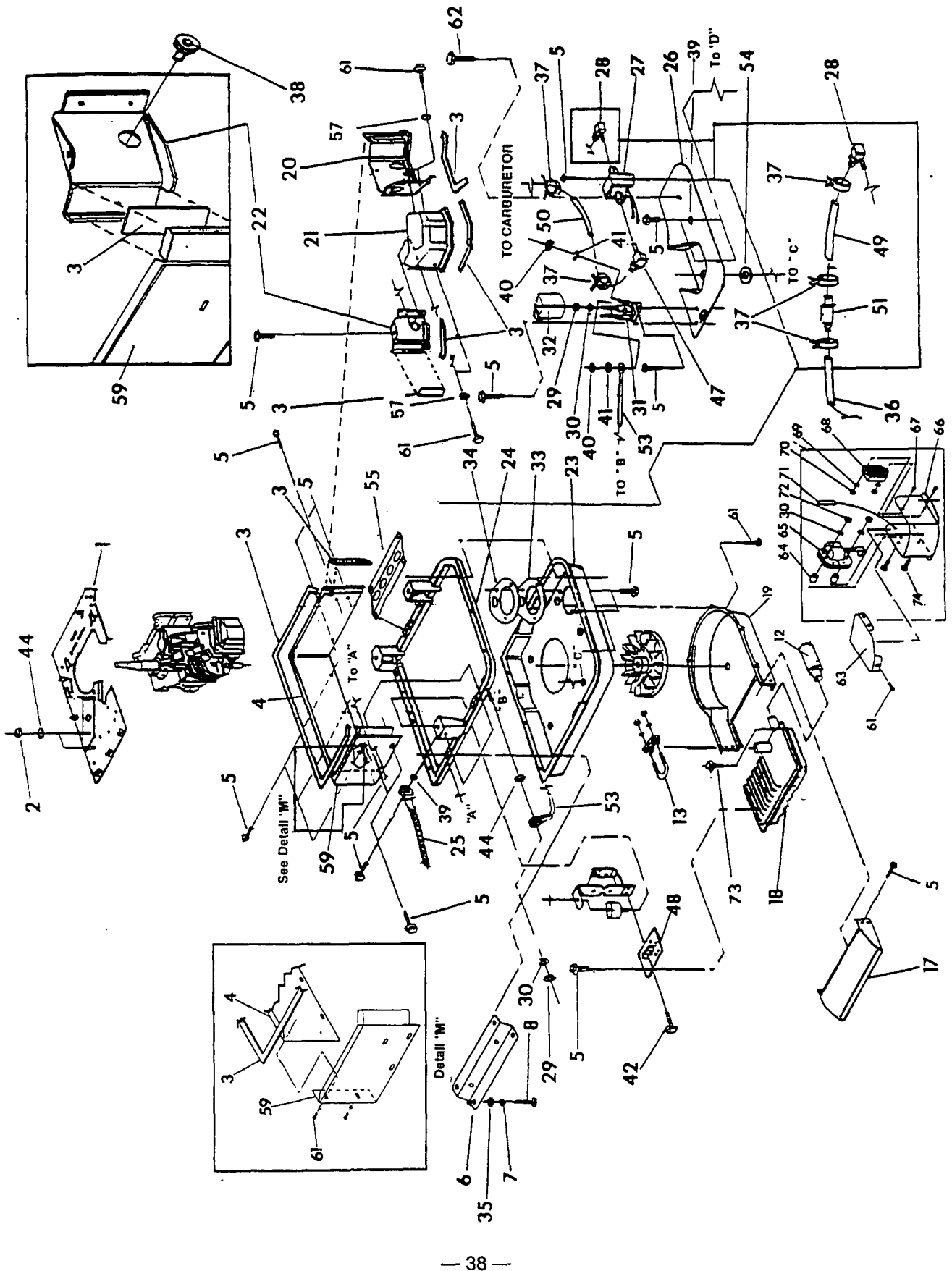
REPAIR PARTS — GENERATOR

Drawing No. A5971 Rev. A

ITEM	PART NO.	QTY.	DESCRIPTION	ITEM	PART NO.	QTY.	DESCRIPTION
1	A2467	1	ENGINE, LONG BLOCK	54	83512	1	TAPTITE M8-1.25 X 15 LONG
2	94583	1	FLYWHEEL, FAN	55	52618	5	M5-0.8 X 12MM CAPSCREW
3	83312	2	WASHER, CONICAL	56	005-91297	1	OIL PRESSURE SWITCH WIRE
4	81810	2	HEX NUT, M16-1.5	57	42907	3	HEX HD. CAPSCR., M8-1.25 X 16MM
5	70185	1	FILTER, OIL	58	22129	10	LOCKWASHER-M8
6	86730	1	TUBE, EXHAUST OUTLET	59	74906	4	M6-1 X 20MM TAPTITE
7	89476	1	GASKET, EXHAUST	61	39253	3	HEX HD. CAPSCR., M8-1.25 X 20MM
8	40976	4	SOCKET HD. CAPSCR., M8-1.25 X 20MM	62	22511	3	HEX HD. CAPSCR., 3/8-16 X 1.25"
9	99948	1	STARTER, EATON/GENERAC	63	22237	3	LOCKWASHER-3/8
11	86705	1	PLATE, DIVIDER	64	55822	2	PHMS, M4-.7 X 8MM
12	22097	8	LOCKWASHER, 1/4-M6	65	22264	2	LOCKWASHER-M4
14	92059	1	STEPPER MOTOR SPEED CONT.	66	89050	2	PPHM SCREW-M6-1 X 90MM
15	86706	1	ROD, THROTTLE CONTROL	67	82774	1	WOODRUFF KEY-4MM X 19MM
16	89477	1	CLIP, ADJUSTMENT	68	59367	4	TAPTITE 3/8"-16 X .75" LONG
17	89478	1	SNAP, RETAINING	69	86697	1	ASSEMBLY IGNITION SENSOR
18	90192	1	WASHER, CARBURETOR	70	86704	3	SPACER, ENGINE MOUNT
19	90881A	1	ASSEMBLY, CARBURETOR	71	86701	1	BRACKET, ENG. MOUNT FRONT
20	90051	2	GASKET, CARB./SPACER/HEAD	72	86702	1	BRACKET, ENG. MOUNT REAR
21	78631	1	GASKET, CARBURETOR/SKIRT	73	38353	3	RUBBER MOUNTS
22	96459	1	GASKET, CARB./INLET/ADAPTOR	74	89263	1	ASSEMBLY, OIL FILL CAP
23	86709	1	ADAPTOR, CARBURETOR INLET	75	90071	1	O-RING, 1.062" I.D.
24	35586	2	HOSE CLAMP-BAND 1.50"	76	94637	1	OIL FILL TUBE
25	86710	1	HOSE, CARBURETOR INLET	77	90072	1	O-RING .562" I.D.
26	87993	1	ELBOW, AIR CLEANER OUTLET	78	86708	1	CARBURETOR SPACER
27	49815	2	HEX HD. CAPSCR., M5-.8 X 16MM	79	87478	1	GASKET, OIL FILTER ADAPTOR
28	90536	1	GASKET, AIR CLEANER OUTLET	80	96627	1	BRACKET, STARTER SIDE ENGINE MOUNT
29	90021	1	BRACKET, AIR CLEANER SUPPORT	81	90613	1	COVER, BREATHER CANAL
30	94665	1	HOUSING, FAN-UPPER	82	59635	1	#8 X 3/8 PLASTITE SCREW
31	93859	1	FAN, GENERATOR	83	002-91297	1	STARTER WIRE
32	A5892	1	ASSEMBLY, MAGNET HOUSING	84	004-91297	1	TEMP. SWITCH GROUND WIRE
33	91437	1	HUB, MAGNET HOUSING ASSY.	85	59636	1	PLASTITE SCREW, #4 X .37"
34	003-91297	1	TEMP. SWITCH WIRE	86	88905	1	EXTENSION SPRING
35	86673	1	BASE, AIR BOX	87	92800	1	WRAPPER, ENGINE TOP
36	78601	1	ELEMENT, AIR FILTER	88	89062	1	HOSE, BREATHER
37	86674	1	COVER, AIR BOX	90	23762	2	WASHER, EXT. SHAKEPROOF-#10
38	78609	2	BOLT, AIR CLEANER COVER	91	22447	3	WASHER, INT. SHAKEPROOF, .25"
39	66449C	4	HEX HD. CAPSCR., M6-1 X 80MM	94	23484P	1	SNAP BUSHING
40	49226	4	LOCKWASHER, M5	96	23897	6	#10-M5 FLAT WASHER
41	80934	1	RETAINING RING, STATOR	97	94090	1	SWITCH-THERMAL, OIL TEMP.
42	A5898	1	STATOR ASSEMBLY	99	86675A	1	ADAPTOR, OIL FILTER
43	86692	1	ADAPTOR, STATOR	100	77667	1	SWITCH, OIL PRESSURE
44	74908	3	TAPTITE, M5-.08 X 10MM	101	86714	1	SCREEN, OIL PICK-UP
45	86735	1	COVER, CHOKE MOUNT	102	52617	1	DRAIN PLUG, M12-1.75 X 20MM
46	47488	4	SCREW, 4-40 X .188"	103	94643	1	GASKET, OIL DRAIN PLUG
47	22159	4	LOCKWASHER-NO. 4	104	C1085	2	PPHMS, M3-0.5 X 8MM
48	31879	4	FLATWASHER-NO. 4	105	43182	2	LOCKWASHER, M3
49	91306	1	SOLENOID, CHOKE	106	90387	1	AIR CLEANER DECAL
50	36544	1	PIN, COTTER 3/32" X 1/2"	107	A8617	4	HEX HD. TAPTITE M6-1 X 25MM
51	89473	1	ASSEMBLY, BI-METAL & HEATER	108	86726	1	SKIRT, BAFFLE
52	86736	1	LINKAGE, CHOKE CONTROL	109	56893	1	CRIMP TITE, 10-24 X 1/2"
53	45756	3	M6-1 X 10MM TAPTITE	110	A9257	1	SHIM, STARTER

EXPLODED VIEW — SHEET METAL

Drawing No. A9405 Rev. *



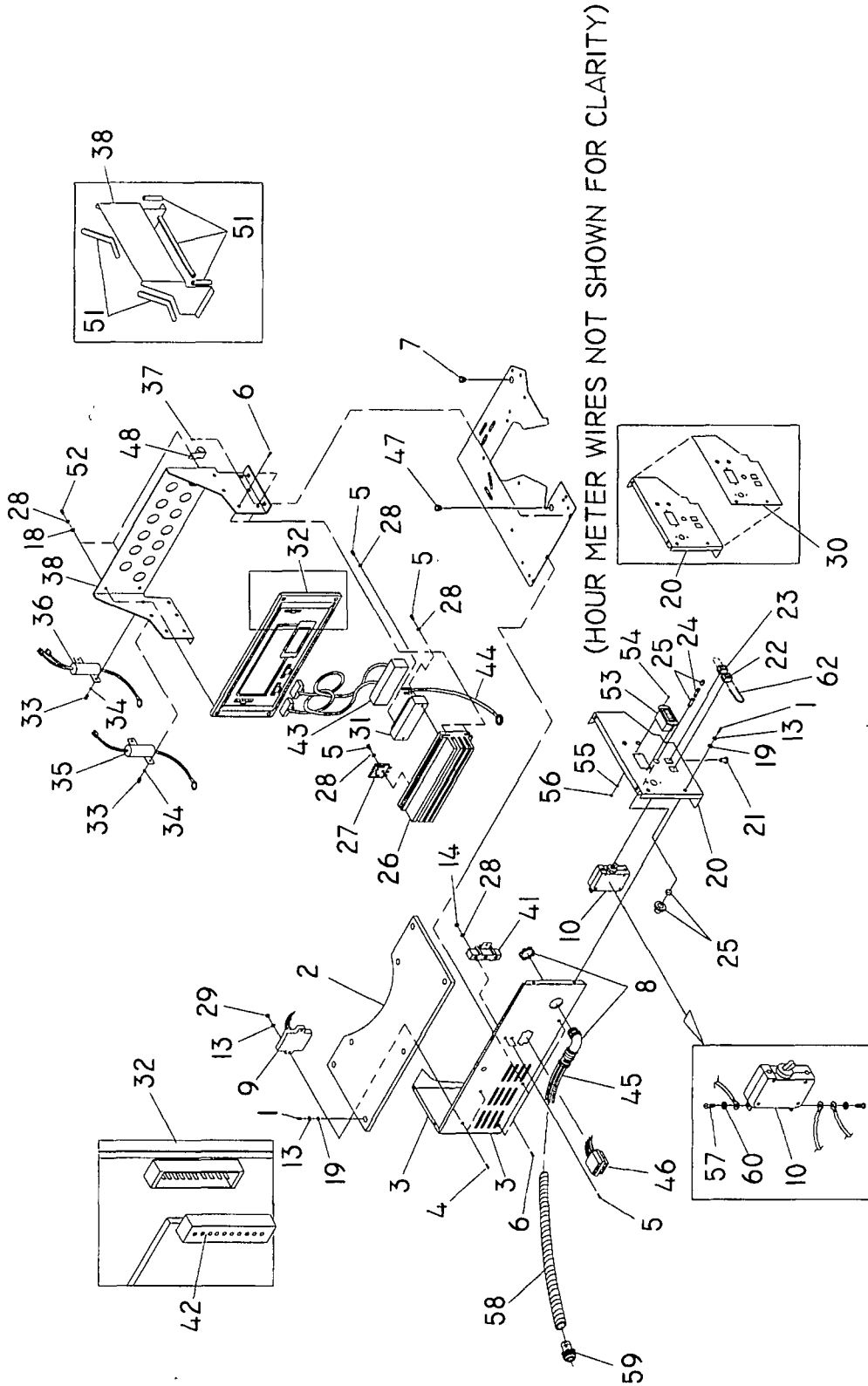
REPAIR PARTS — SHEET METAL

Drawing No. A9405 Rev. *

ITEM	PART NO.	QTY.	DESCRIPTION	ITEM	PART NO.	QTY.	DESCRIPTION
1	86705	1	PLATE, DIVIDER	42	79246	2	HEX HD. CAPSCR., M6 1.0 x 16MM W/LOCKWASHER
2	49813	2	M61.0 HEX NUT				
3	86718	1	SEAL RUBBER EXTRUSION	44	22447	3	WASHER, INTERNAL SHAKEPROOF, 1/4"M6
4	A3666	1	WRAPPER, BOX				
5	74908	33	TAPTITE, M50.8 x 10MM	47	39450	1	1/8" x 3/16" NPT 90 DEG. BARBED FITTING
6	20150	1	CUSTOMER MOUNTING RAILS	48	92000	1	BRACKET, MUFFLER HANGER
7	22129	4	LOCK WASHERM8				
8	39414	4	HEX HD. CAPSCR., M8 1.25 x 35MM	49	30340	1	1/4" FUEL LINE (8" LONG)
				50	82580D	1	3/16" CARBURETOR LINE (4" LONG)
10	49226	2	LOCK WASHER M5				
12	89680	1	SPARK ARRESTOR	51	86311	1	FUEL FILTER
13	94670	1	UBOLT, W/SADDLE & NUTS	53	00791297	1	STARTER CONTACTOR GROUND WIRE
17	89471	1	DEFLECTOR, AIR OUT				
18	86731A	1	ASSEMBLY, MUFFLER	54	89045	1	SEAL, WASHER EXH. PIPE
19	86715	1	HOUSING, LOWER FAN	55	20149	1	CUSTOMER MNTG. RAIL
20	86726	1	SKIRT, CARB. BAFFLE	56	91526	2	M5 0.8 x 12 MM CAPSCREW
21	86671	1	COVER, ROCKER	57	23897	4	M5 FLATWASHER
22	86727	1	SPARK PLUG SIDE	59	A3638	1	WRAPPER, END PANEL
23	86719	1	PAN, BELLY	60	22159	2	#10 LOCK WASHER
24	20519	1	FRAME	61	56893	11	CRIMPTITE, 1024 x 1/2"
25	90141A	1	GROUND STRAP	62	A5767	1	HEX HD. CAPSCR., M50.8 x 6MM
26	86724	1	PLATE, BASE COVER				
27	90475	1	PUMP, FUEL	63	A9196	1	COVER, IGNITION SYSTEM
28	28740	1	BARBED 90 1/8" x 1/4"	64	89047	2	SPACER, IGNITION COIL
29	22127	3	HEX NUT, 1/420	65	89049B	1	COIL, IGNITION
30	22097	7	LOCK WASHER1/4"M6	66	A9172	1	BRACKET, IGNITION SYS.
31	86729	1	CONTACTOR, STARTER	67	91526	2	M50.8 x 12MM PPHMS
32	90518	1	BOOT, CONTACTOR	68	86711	1	MODULE, IGNITION
33	89048	1	SEAL, OIL FILTER HOLE	69	49226	2	LOCK WASHER, M5
34	90537	1	RETAINER, SEAL	70	51716	2	M50.8 HEX NUT
35	22145	4	FLAT WASHERM8	71	84867	.25FT.	RUBBER UCHANNEL
36	30340	1	1/4" FUEL LINE 4" LONG	72	49813	4	M61.0 HEX NUT
37	48031C	5	1/4" HOSE CLAMP	73	56892	1	CRIMPTITE 1024 x 3/8
38	23484D	1	SNAP BUSHING	74	49721	2	M61.0 x 35MM HEX HD. CAPSCR.
39	23762	2	EXTERNAL SHAKEPROOF				
40	22471	2	#8 HEX NUT				
41	22264	2	#8 LOCK WASHER				

EXPLODED VIEW — CONTROL PANEL

Drawing No. A9406 Rev. *



REPAIR PARTS — CONTROL PANEL

Drawing No. A9406 Rev. *

ITEM	PART NO.	QTY.	DESCRIPTION	ITEM	PART NO.	QTY.	DESCRIPTION
1	91526	8	M50.8 x 12MM PHILLIPS PAN HD. MACH. SCR.	34	43182	4	LOCK WASHERM3
2	20093	1	BOX, CONTROL TOP	35	89744	1	RESISTOR, POWER 1 OHM
3	20092	1	BOX, CONTROL PANEL	36	83491	1	RESISTOR, POWER 500 OHM
4	36937	2	#1032 x 1" PHILLIPS PAN HD. MACH. SCR.	37	45756	4	TAPTITE M61 x 10 LONG
5	75476	5	PHILLIPS PAN HD. MACH. SCR., M4 x 16	38	86722	1	BRACKET, HEAT SINKPCB
6	74908	8	TAPTITE M5.8 x 10 LONG	41	75210A	1	TERMINAL BLOCK
7	23484M	1	SNAP BUSHING	42	91281	1	12 PIN CONNECTOR ASSY.
8	20107	1	90 DEG. CONNECTOR	43	86738A	1	TRIAC MODULE HARNESS
9	92234	1	RV CONTROL BOARD	44	00191297	1	GROUND WIRE
10	90145	1	CIRCUIT BREAKER, 30A.	45	91282A	1	CUSTOMER WIRE HARNESS
13	49226	10	LOCK WASHER M5	46	91269A	1	REMOTE PANEL HARNESS
14	51715	2	HEX NUT M4	47	23484D	1	SNAP BUSHING
18	22985	4	M4 FLAT WASHER	48	82121A	2	CLAMP, CONTROL PANEL HARNESS
19	23897	8	M5 FLAT WASHER	49	20106	1	HARNESS, CONTROL PANEL (NOT SHOWNFOR CLARITY)
20	20091	1	CONTROL PANEL, FRONT	50	25105	2	#632 x 1/4" PHILLIPS ROUND HD. MACH. SCREW
21	30809	1	RUBBER GROMMET	51	84867	4	RUBBER UCHANNEL
22	87798	1	SWITCH, SPDT ROCKER	52	51718	4	M40.7 x 10MM HEX HEAD CAPSCREW
23	92113	1	SWITCH, SPSTMOM ROCKER	53	77604	1	HOUR METER
24	A9611	1	FUSE, 7.5A. AGC	54	34028	2	#440 X 3/8" LG. ROUND HD
25	32300	1	FUSE HOLDER	55	22159	2	#4 LOCKWASHER
26	80939	1	EXTRUSION, CONTROLLER	56	27771	2	#440 HEX NUT
27	65795	1	RECTIFIER, BATT. CHARGE	57	36933	2	PPHMS 1032 x 3/8" LONG
28	22264	16	LOCK WASHER M4	58	21532	1	CONDUIT, 1/2"
29	22158	2	#1032 HEX NUT	59	A1491	1	CONN. 1/2"
30	20105B	1	PANEL DECAL	60	23762	2	SHAKEPROOF LOCK WASHER, EXT. TOOTH #10
31	86275	1	GENISTOR, TRIAC MODULE	62	29333A	1	BLACK TIE WRAP, 7" LG
32	A3369	1	ASSEMBLY, PCB CCG				
33	43181	4	TAPTITE, M30.5 x 10MM PAN HD. MACH. SCR.				